

CAPABILITY STATEMENT

DGC AFRICA'S expertise in wearplate manufacturing helps them achieve excellent results through smart, innovative designs to make your wear plate handling safer and more efficient.

DGC AFRICA'S expertise in wearplate manufacturing helps them achieve excellent results through smart, innovative designs to make your wear plate handling safer and more efficient.

ECI EZLIFT is a simple and easy to use device for lifting heavy and/or sizable plates into position, entirely from the wear face side.

The lifting eye is screwed into the unique EZLIFT hole and ready for lifting.

Once the liner is lifted into position and bolted on, the lifting eye is unscrewed and replaced with a ECI EZPLUG to fill the void and protect the hole for liner removal at a later stage.

BENEFITS & ADVANTAGES

- Great improvement on safety and handling risk.
- Significantly reduces installation / removal times.
- Able to lift loads at any angle.
- No Air or Electrical equipment necessary. A flathead screwdriver is all you need.

TYPICAL APPLICATIONS

ECI EZLIFT is suitable for lifting all forms of wear plate.



LIFTING 50/20 CTC6000 LINER WITH EZLIFT



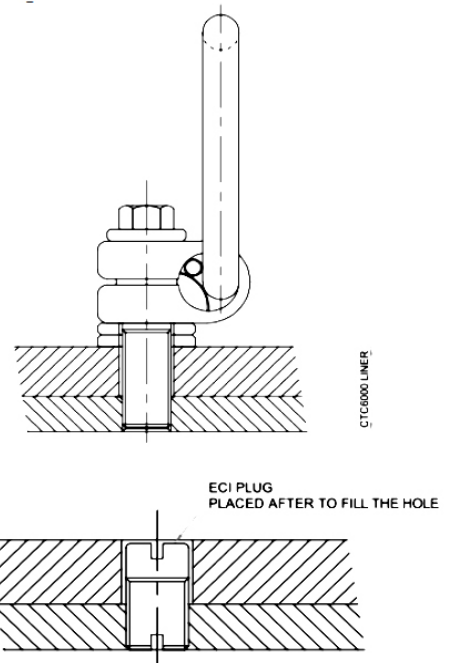
EZLIFT DEVICE



400 KG LINER LIFTED WITH EZLIFT



EZLIFT DEMONSTRATED ON 2 MT CTC6000 LINER



ENDURACLAD
INTERNATIONAL